

VigorSwitch PQ2121x L2+ Managed Switch Quick Start Guide

Version: 1.0

Firmware Version: V2.8.1

(For future update, please visit [DrayTek web site](#))

Date: February 1, 2023

Intellectual Property Rights (IPR) Information

Copyrights	© All rights reserved. This publication contains information that is protected by copyright. No part may be reproduced, transmitted, transcribed, stored in a retrieval system, or translated into any language without written permission from the copyright holders.
Trademarks	The following trademarks are used in this document: <ul style="list-style-type: none">● Microsoft is a registered trademark of Microsoft Corp.● Windows 8, 10, 11 and Explorer are trademarks of Microsoft Corp.● Apple and Mac OS are registered trademarks of Apple Inc.● Other products may be trademarks or registered trademarks of their respective manufacturers.

Safety Instructions and Approval

Safety Instructions	<ul style="list-style-type: none">● Read the installation guide thoroughly before you set up the switch.● The switch is a complicated electronic unit that may be repaired only by authorized and qualified personnel. Do not try to open or repair the switch yourself.● Do not place the switch in a damp or humid place, e.g. a bathroom.● The switch should be used in a sheltered area, within a temperature range of +0 to +45 Celsius.● Do not expose the switch to direct sunlight or other heat sources. The housing and electronic components may be damaged by direct sunlight or heat sources.● Do not deploy the cable for LAN connection outdoor to prevent electronic shock hazards.● Keep the package out of reach of children.● When you want to dispose of the switch, please follow local regulations on conservation of the environment.
Warranty	We warrant to the original end user (purchaser) that the switch will be free from any defects in workmanship or materials for a period of two (2) years from the date of purchase from the dealer. Please keep your purchase receipt in a safe place as it serves as proof of date of purchase. During the warranty period, and upon proof of purchase, should the product have indications of failure due to faulty workmanship and/or materials, we will, at our discretion, repair or replace the defective products or components, without charge for either parts or labor, to whatever extent we deem necessary to restore the product to proper operating condition. Any replacement will consist of a new or re-manufactured functionally equivalent product of equal value, and will be offered solely at our discretion. This warranty will not apply if the product is modified, misused, tampered with, damaged by an act of God, or subjected to abnormal working conditions. The warranty does not cover the bundled or licensed software of other vendors. Defects which do not significantly affect the usability of the product will not be covered by the warranty. We reserve the right to revise the manual and online documentation and to make changes from time to time in the contents hereof without obligation to notify any person of such revision or changes.



EU Declaration of Conformity

We DrayTek Corp. , office at No.26, Fushing Rd., Hukou, Hsinchu Industrial Park, Hsinchu 303, Taiwan , R.O.C., declare under our sole responsibility that the product

- Product name: PoE 8-port 2.5G with 4-port 10G SFP+ up-link Switch
- Model number: VigorSwitch PQ2121x
- Manufacturer: DrayTek Corp.
- Address: No.26, Fushing Rd., Hukou, Hsinchu Industrial Park, Hsinchu 303, Taiwan

is in conformity with the relevant Union harmonisation legislation:

EMC Directive 2014/30/EU, Low Voltage Directive 2014/35/EU and RoHS 2011/65/EU with reference to the following standards

Standard	Version / Issue date
EN 55032	2015+A1:2020
EN 61000-3-2	2019+A1:2021
EN 61000-3-3	2013/A2:2021
EN 55035	2017+A11:2020
EN 62368-1	2014 +A11:2017
EN IEC63000:2018	2018

Hsinchu
(place)

May 5, 2022
(date)

Calvin Ma
Calvin Ma / President
(Legal Signature)



Declaration of Conformity

We DrayTek Corp. , office at No.26, Fushing Rd., Hukou, Hsinchu Industrial Park, Hsinchu 303, Taiwan , R.O.C., declare under our sole responsibility that the product

- Product name: PoE 8-port 2.5G with 4-port 10G SFP+ up-link Switch
- Model number: VigorSwitch PQ2121x
- Manufacturer: DrayTek Corp.
- Address: No.26, Fushing Rd., Hukou, Hsinchu Industrial Park, Hsinchu 303, Taiwan
- Importer: CMS Distribution Ltd: Bohola Road, Kiltimagh, Co Mayo, Ireland

The Electromagnetic Compatibility Regulations 2016 (SI 2016 No.1091), The Electrical Equipment (Safety) Regulations 2016 (SI 2016 No.1101), and The Restriction of the Use of Certain Hazardous Substances in Electrical and Electronic Equipment Regulations 2012 (SI 2012 No. 3032) with reference to the following standards:

Standard	Version / Issue date
BS EN 55032	2015+A1:2020
BS EN 61000-3-2	2019+A1:2021
BS EN 61000-3-3	2013/A2:2021
BS EN 55035	2017+A11:2020
EN 62368-1	2014+A11:2017
EN IEC 63000:2018	2018

Hsinchu
(place)

May 5, 2022
(date)

Calvin Ma
Calvin Ma / President
(Legal Signature)

Regulatory Information

Federal Communication Commission Interference Statement

This equipment has been tested and found to comply with the limits for a Class A digital device, pursuant to Part 15 of the FCC Rules. These limits are designed to provide reasonable protection against harmful interference in a residential installation. This equipment generates, uses and can radiate radio frequency energy and, if not installed and used in accordance with the instructions, may cause harmful interference to radio communications. However, there is no guarantee that interference will not occur in a particular installation. If this equipment does cause harmful interference to radio or television reception, which can be determined by turning the equipment off and on, the user is encouraged to try to correct the interference by one of the following measures:

- Reorient or relocate the receiving antenna.
- Increase the separation between the equipment and receiver.
- Connect the equipment into an outlet on a circuit different from that to which the receiver is connected.
- Consult the dealer or an experienced radio/TV technician for help.

This device complies with Part 15 of the FCC Rules. Operation is subject to the following two conditions:

- (1) This device may not cause harmful interference, and
- (2) This device may accept any interference received, including interference that may cause undesired operation.

Caution: Any changes or modifications not expressly approved by the party responsible for compliance could void the user's authority to operate the equipment.



More update, please visit www.draytek.com.

USA Local Representative
Company name ABP International Inc.
Address 13988 Diplomat Drive Suite 180 Dallas TX 75234 , ZIP Code 75234
E-mail rmesser@abptech.com
Contact Person Mr. Robert Messer
Tel. 19728311600

Be a Registered Owner

Web registration is preferred. You can register your Vigor switch via <https://myvigor.draytek.com>.

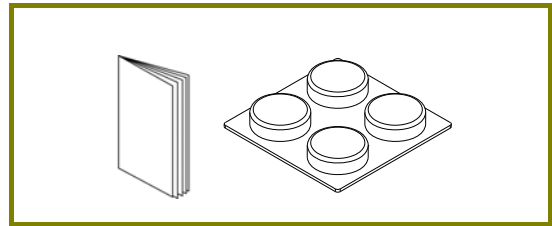
Firmware & Tools Updates

Due to the continuous evolution of DrayTek technology, all switches will be regularly upgraded. Please consult the DrayTek web site for more information on newest firmware, tools and documents. <https://www.draytek.com>

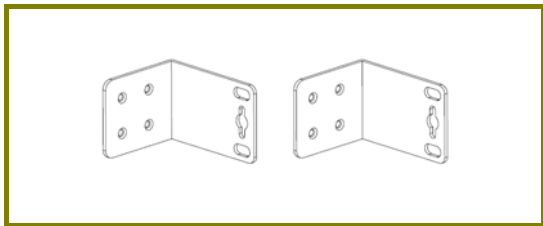
1. Package Content



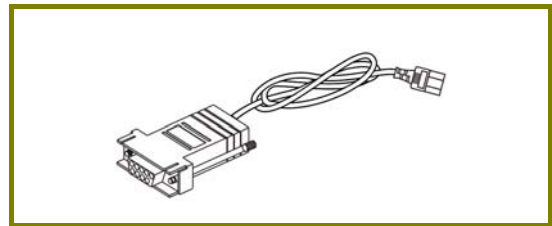
VigorSwitch PQ2121x



Quick Start Guide & Rubber Pads

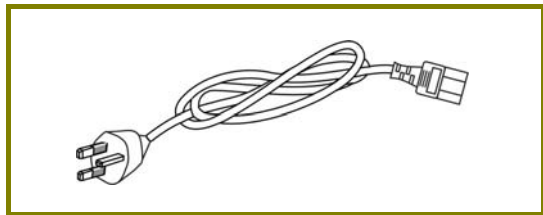


Rack Mount Kit (brackets)

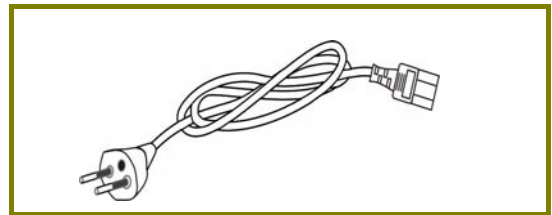


Console Cable

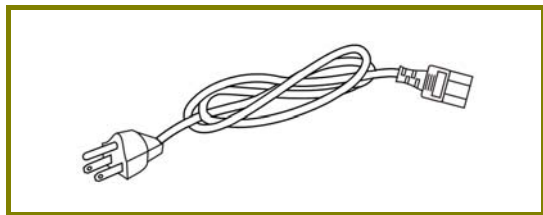
The type of the power cord depends on the country that the switch will be installed.



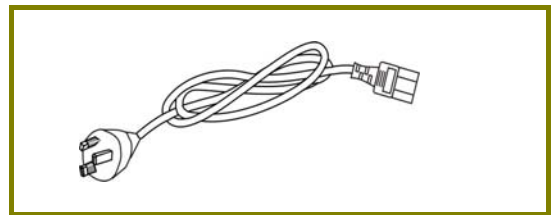
UK-type Power Cord



EU-type Power Cord



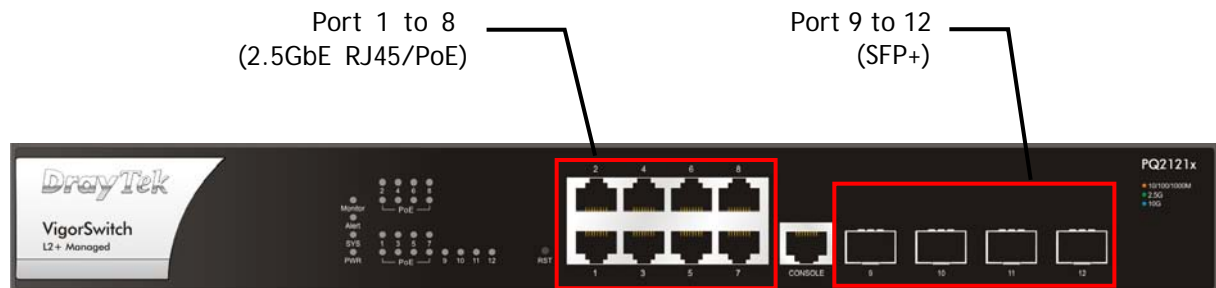
USA/Taiwan-type Power Cord




AU/NZ-type Power Cord

If any of these items is found missing or damaged, please contact your local supplier for replacement.

2. Panel Explanation



LED	Status	Explanation
Monitor	On (Red)	An alert for system failure due to overheating or wrong voltage.
	Off	The device is in normal condition and running normally.
Alert	Blinking (Green)	The power is over (>) 80% watts PoE power budget.
	Off	The power is under (<) 80% watts PoE power budget.
SYS	On (Green)	The switch finishes system booting and the system is ready.
	Blinking (Green)	The switch is powered on and starts system booting.
	Off	The power is off or the system is not ready / malfunctioning.
PWR	On (Green)	The device is powered on and running normally.
	Off	The device is not ready or is failed.
Port 1 ~ 8 (2.5GbE PoE)	On (Green)	The port is supplied with PoE power.
	Off	No PoE power is supplied on the port.
Port 1 ~ 8 (2.5GbE RJ45)	On (Green)	The device is connected with 2500Mbps.
	On (Amber)	The device is connected with 10/100/1000Mbps.
	Blinking	The system is sending or receiving data through the port.
	Off	The port is disconnected or the link is failed.
Port 9 ~ 12 (SFP+)	On (Blue)	The device is connected with 10Gbps.
	On (Amber)	The device is connected with 1000Mbps.

	Blinking	The system is sending or receiving data through the port.
	Off	The port is disconnected or the link is failed.
Interface		Description
RST		Factory reset button. Press it to reboot the system. (<5 seconds) Press it to reset the system with factory default settings. (5-20 seconds)
Port 1 ~ 8 (2.5GbE RJ45/PoE)		Used for Ethernet connection (10/100/1000/2500Mbps). Used for Ethernet connection (10/100/1000/2500Mbps). PoE supports: Port 1 ~ 8: 802.3af/at, up to 30W.
Port 9 ~ 12 (SFP+)		Port 9 to Port 12 are used for fiber connection.
Console		Used to perform telnet command control.
		Power inlet for AC input (100-240V/AC, 50/60Hz, 2.5A).

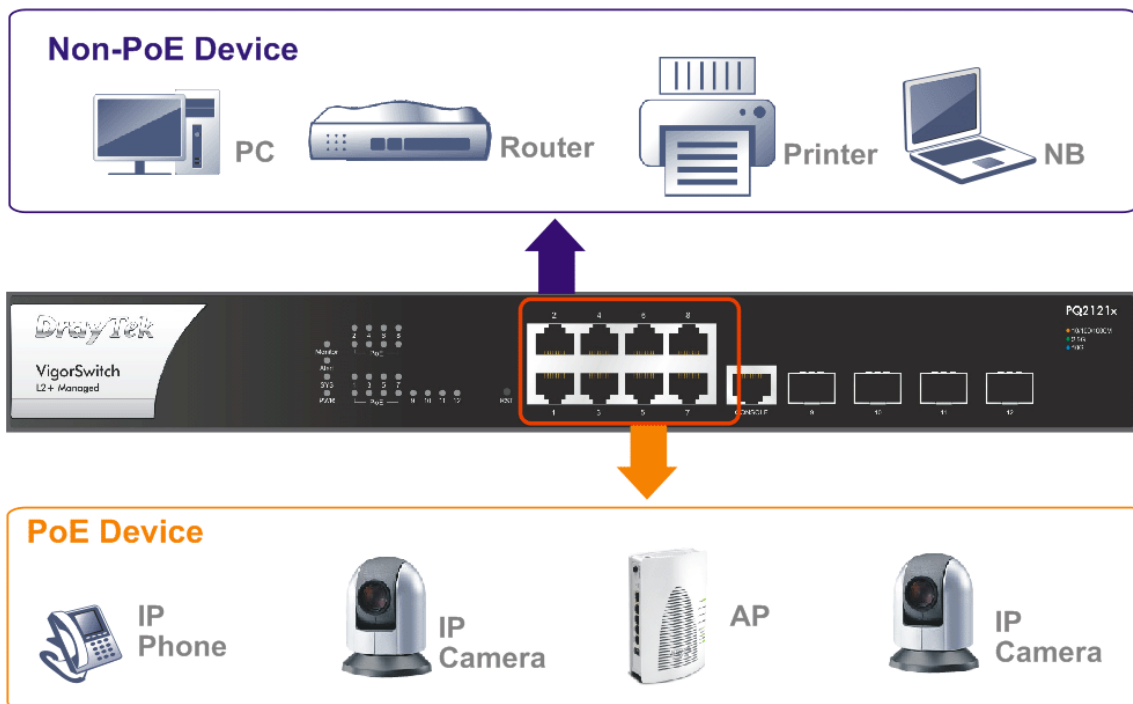
3. Hardware Installation

This section will guide you to install the switch through hardware connection and configure the switch's settings through web browser.

Before starting to configure the switch, you have to connect your devices correctly.

3.1 Network Connection

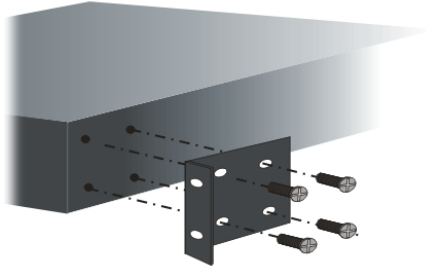
- Use a Cat. 5e twisted-pair cable to connect a PoE device to the port (1-8) of this switch.
- The switch will supply power to PoE Device over the twisted-pair cable.
- Please note that Power Device must comply with IEEE 802.3af/at.
- Other PCs, servers and network devices can be connected to the switch using a standard 'straight through' twisted pair cable.



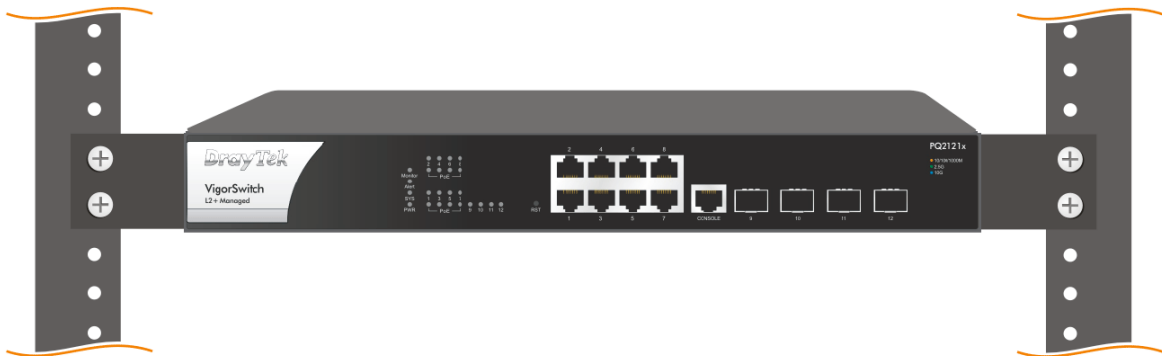
3.2 Rack-Mounted Installation

The switch can be easily installed by using rack mount kit.

1. Fasten the rack mount kit on both sides of the VigorSwitch using specific screws.

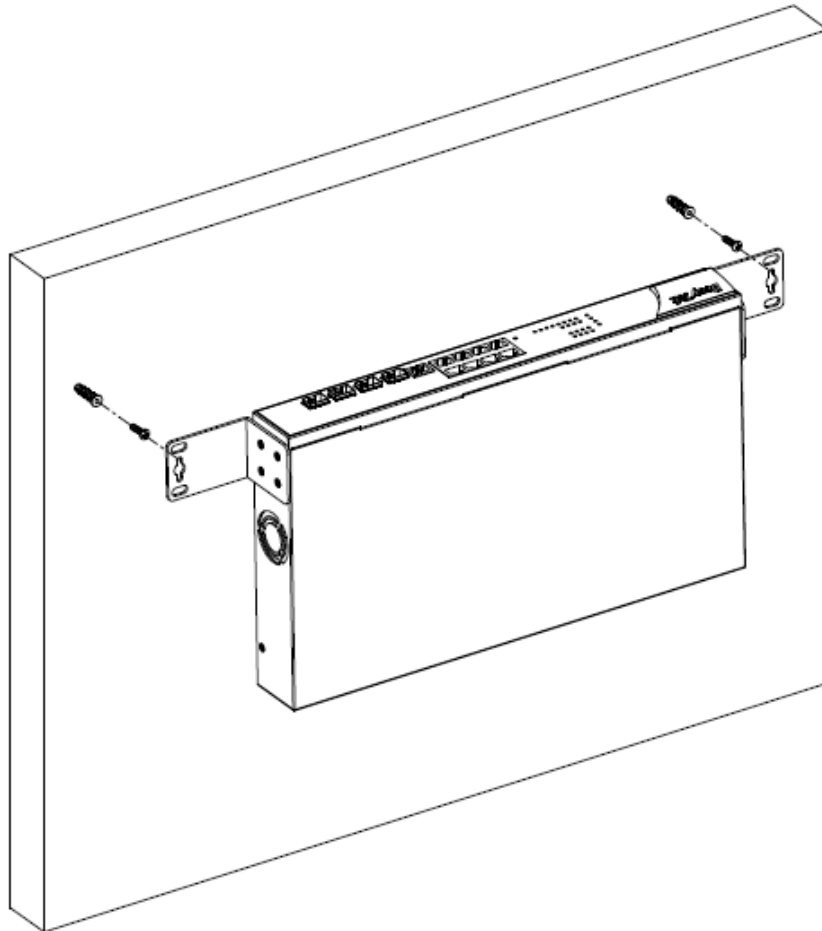


2. Then, install the VigorSwitch (with rack mount kit) on the 19-inch chassis by using other four screws.



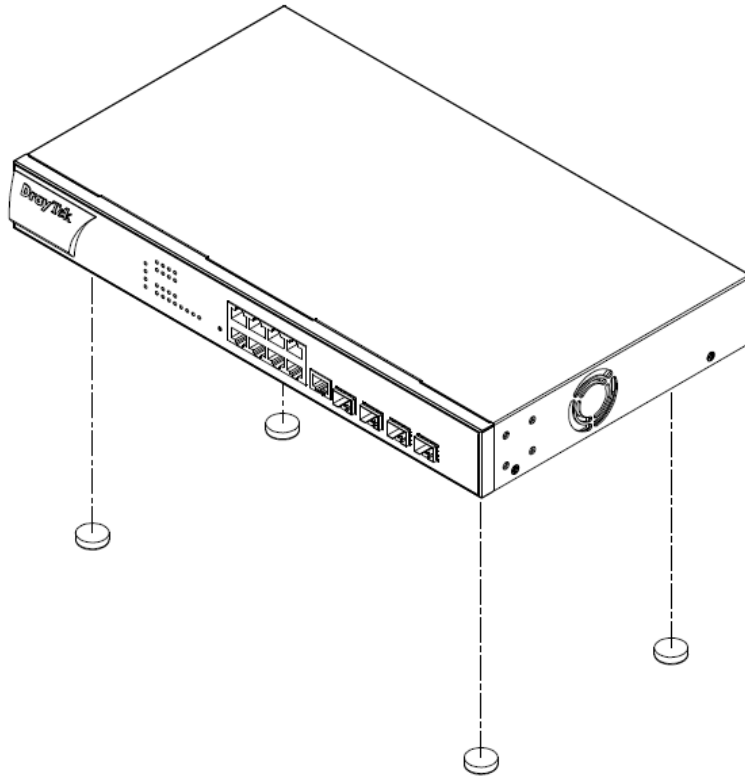
3.3 Wall-Mounted Installation

1. Choose a flat surface (on the wall) which is suitable for placing the switch. Make the screw holes on the short side of the bracket aim at the screw holes on the switch. Next, fasten both the bracket and the switch with two screws; and fasten both the wall and the bracket with another two screws. Refer to the following figure.
2. Then, continue to fasten the screws on the other side of the switch and the wall with other screws.
3. When you finished about procedure, the switch has been mounted on the wall firmly.



3.4 Desktop Installation

1. Install the switch on a level surface that can support the weight of the unit and the relevant components.
2. Put rubber pads between the unit and the surface.



3. Plug the switch with the female end of the provided power cord and plug the male end to the power outlet.

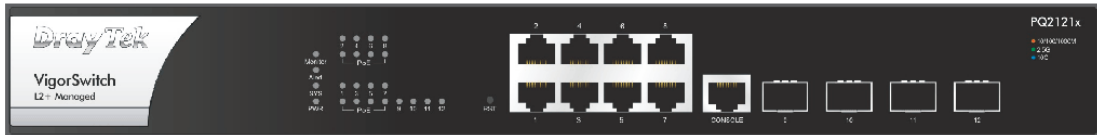
4. Software Configuration

VigorSwitch, for example:

IP Address: 192.168.1.224

Subnet Mask: 255.255.255.0

Default Gateway: 192.168.1.254



Assign a reasonable IP address, for example:

IP Address: 192.168.1.100

Subnet Mask: 255.255.255.0

Default Gateway: 192.168.1.254



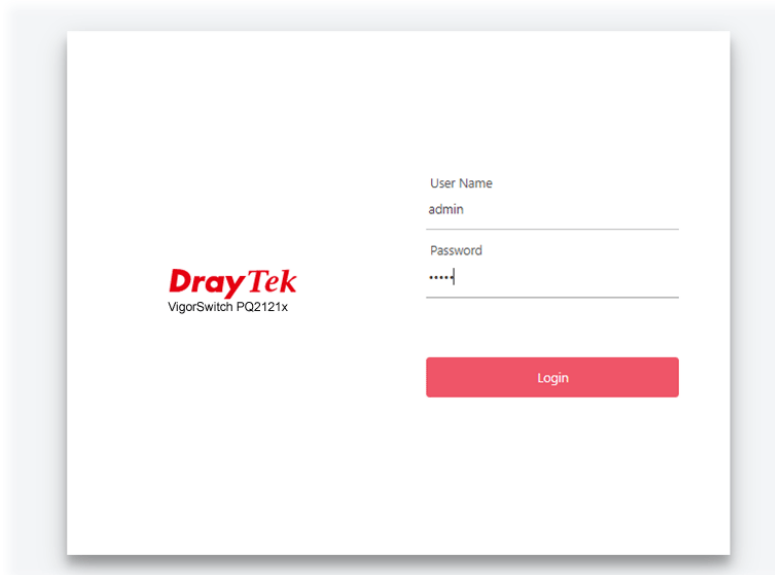
Before using the switch, perform the following steps:

1. Set up a physical path between the configured the switch and a PC by a qualified UTP Cat. 5e cable with RJ-45 connector.

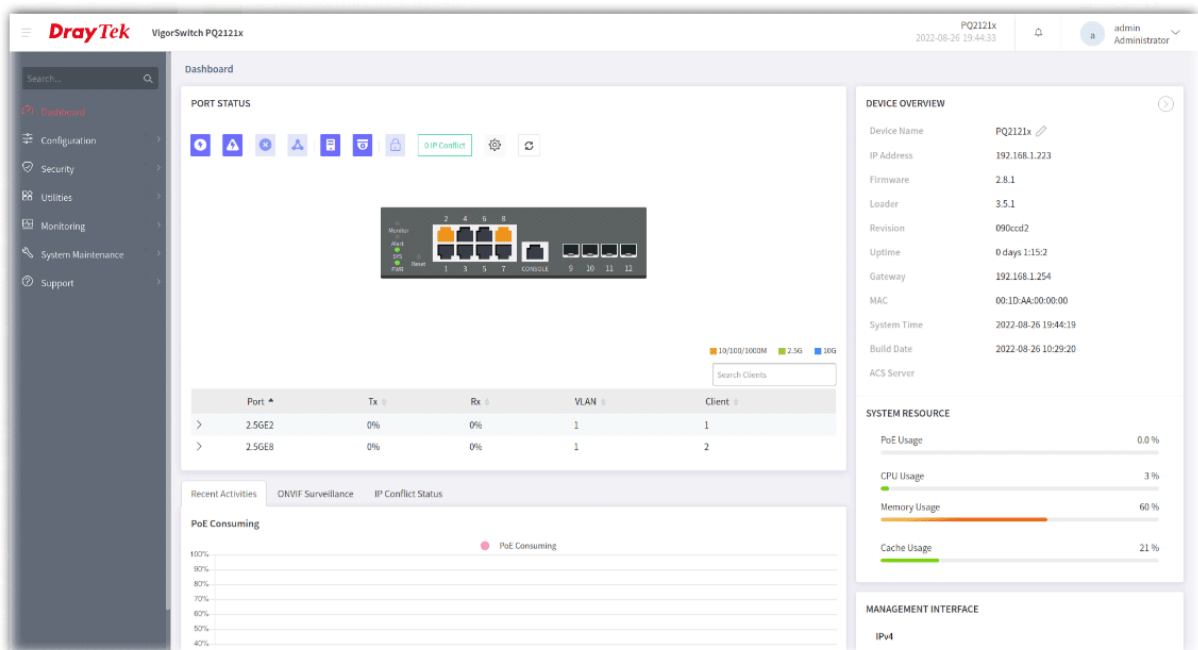
If a PC directly connects to the switch, you have to setup the same subnet mask for PC and the switch. Default values of the managed switch are listed as follows:

IP Address	192.168.1.224
Subnet Mask	255.255.255.0
DHCP Client	Enabled (On)
Username	admin
Password	admin

2. After configuring correct IP address on your PC, open your web browser and access switch's IP address.



The home page of VigorSwitch PQ2121x will be shown as below:



Customer Service

If the switch cannot work correctly after trying many efforts, please contact your dealer for further help right away. For any questions, please feel free to send e-mail to support@draytek.com.

GPL Notice

This DrayTek product uses software partially or completely licensed under the terms of the GNU GENERAL PUBLIC LICENSE. The author of the software does not provide any warranty. A Limited Warranty is offered on DrayTek products. This Limited Warranty does not cover any software applications or programs.

To download source codes please visit:

<http://gplsource.draytek.com>

GNU GENERAL PUBLIC LICENSE:

<https://gnu.org/licenses/gpl-2.0>

Version 2, June 1991

For any question, please feel free to contact DrayTek technical support at support@draytek.com for further information.