

DrayTek

VigorAP 903

802.11ac Access Point



QUICK START GUIDE

V2.0

VigorAP 903

802.11ac Access Point

Quick Start Guide

Version: 2.0

Firmware Version: V1.4.10

(For future update, please visit [DrayTek web site](http://www.draytek.com))

Date: July 19, 2023

Intellectual Property Rights (IPR) Information

Copyrights	© All rights reserved. This publication contains information that is protected by copyright. No part may be reproduced, transmitted, transcribed, stored in a retrieval system, or translated into any language without written permission from the copyright holders.
Trademarks	The following trademarks are used in this document: <ul style="list-style-type: none">● Microsoft is a registered trademark of Microsoft Corp.● Windows, 8, 10, 11 and Explorer are trademarks of Microsoft Corp.● Apple and Mac OS are registered trademarks of Apple Inc.● Other products may be trademarks or registered trademarks of their respective manufacturers.

Safety Instructions and Approval

Safety Instructions	<ul style="list-style-type: none">● Read the installation guide thoroughly before you set up the device.● The device is a complicated electronic unit that may be repaired only by authorized and qualified personnel. Do not try to open or repair the device yourself.● Do not place the device in a damp or humid place, e.g. a bathroom.● Do not stack the devices.● The device should be used in a sheltered area, within a temperature range of 0 to +45 Celsius.● Do not expose the device to direct sunlight or other heat sources. The housing and electronic components may be damaged by direct sunlight or heat sources.● Do not deploy the cable for LAN connection outdoor to prevent electronic shock hazards.● Do not power off the device when saving configurations or firmware upgrades. It may damage the data in a flash. Please disconnect the Internet connection on the device before powering it off when a TR-069/ACS server manages the device.● Keep the package out of reach of children.● When you want to dispose of the device, please follow local regulations on conservation of the environment.
Warranty	We warrant to the original end user (purchaser) that the device will be free from any defects in workmanship or materials for a period of two (2) years from the date of purchase from the dealer. Please keep your purchase receipt in a safe place as it serves as proof of date of purchase. During the warranty period, and upon proof of purchase, should the product have indications of failure due to faulty workmanship and/or materials, we will, at our discretion, repair or replace the defective products or components, without charge for either parts or labor, to whatever extent we deem necessary to restore the product to proper operating condition. Any replacement will consist of a new or re-manufactured functionally equivalent product of equal value, and will be offered solely at our discretion. This warranty will not apply if the product is modified, misused, tampered with, damaged by an act of God, or subjected to abnormal working conditions. The warranty does not cover the bundled or licensed software of other vendors. Defects which do not significantly affect the usability of the product will not be covered by the warranty. We reserve the right to revise the manual and online documentation and to make changes from time to time in the contents hereof without obligation to notify any person of such revision or changes.



Declaration of Conformity

Hereby, DrayTek Corporation declares that the radio equipment type VigorAP 903 is in compliance with Directive 2014/53/EU.

The full text of the EU declaration of conformity is available at the following internet address:


[https://fw.draytek.com.tw/VigorAP 903/Document/CE/](https://fw.draytek.com.tw/VigorAP_903/Document/CE/)

Manufacturer: DrayTek Corp.

Address: No. 26, Fushing Rd, Hukou, Hsinchu Industrial Park, Hsinchu 303, Taiwan

Product: VigorAP 903

Frequency Information for Europe area:

2.4GHz WLAN	2412MHz - 2472 MHz, max. TX power: 19.98dBm *1
5GHz WLAN	5160MHz - 5340 MHz, max. TX power: 22 dBm ; *2 5480MHz - 5720 MHz, max. TX power: 27.13 dBm
	Requirements in AT/BE/BG/CZ/DZ/DK/EE/FR/DE/IS/IE/IT/EL/ES/ CY / LV / LI / LT/ LU/ HU / MT/ NL/NO/PL/PT/RO/SI/SK/TR/FI/SE/CH/UK/HR. 5150MHz-5350MHz is for indoor use only.

(*1: for 2.4GHz WLAN model; *2: for 5GHz WLAN model)

This product is designed for 2.4GHz and 5GHz WLAN network throughout the EC region.



Regulatory Information

Federal Communication Commission Interference Statement

This equipment has been tested and found to comply with the limits for a Class B digital device, pursuant to Part 15 of the FCC Rules. These limits are designed to provide reasonable protection against harmful interference in a residential installation. This equipment generates, uses and can radiate radio frequency energy and, if not installed and used in accordance with the instructions, may cause harmful interference to radio communications. However, there is no guarantee that interference will not occur in a particular installation. If this equipment does cause harmful interference to radio or television reception, which can be determined by turning the equipment off and on, the user is encouraged to try to correct the interference by one of the following measures:

- Reorient or relocate the receiving antenna.
- Increase the separation between the equipment and receiver.
- Connect the equipment into an outlet on a circuit different from that to which the receiver is connected.
- Consult the dealer or an experienced radio/TV technician for help.

This device complies with Part 15 of the FCC Rules. Operation is subject to the following two conditions:

- (1) This device may not cause harmful interference, and
- (2) This device may accept any interference received, including interference that may cause undesired operation.

USA Local Representative	Company name	ABP International Inc.		
	Address	13988 Diplomat Drive Suite 180 Dallas TX 75234		
	ZIP Code	75234	E-mail	itadmin@abptech.com
	Contact Person	Mr. Henry N Castillo	Tel.	(972)831-1600 140

Caution

Any changes or modifications not expressly approved by the grantee of this device could void the user's authority to operate the equipment.

Any changes or modifications not expressly approved by the party responsible for compliance could void the user's authority to operate this equipment.

This transmitter must not be co-located or operating in conjunction with any other antenna or transmitter.

Radiation Exposure Statement: This equipment complies with FCC radiation exposure limits set forth for an uncontrolled environment. This equipment should be installed and operated with minimum distance 20cm between the radiator & your body.

Operations in the 5.15-5.25GHz band are restricted to indoor usage only.



* The external power supply used for each product will be model dependent.

	1	2
A Manufacturer	DVE	DVE
B Address	No.5, Baogao Rd, Xindian Dist, New Taipei City (23144), Taiwan	No.5, Baogao Rd, Xindian Dist, New Taipei City (23144), Taiwan. R.O.C
C Model identifier	DSA-12PF09-12 FUK DSA-12PF09-12 FEU	DSA-18PFR-12 FUK DSA-18PFR-12 FEU
D Input voltage	100~240V	100~240V
E Input AC frequency	50/60Hz	50/60Hz
Output voltage DC	12.0V	12.0V
F Output current	1.0A	1.5A
G Output power	12.0W	18.0W
H Average active efficiency	83.3%	85.5%
I Efficiency at low load 10%	80.8%	83.7%
J No-load power consumption	0.06W	0.07W

* External power supply (Power Adapter) information. For more update, please visit www.draytek.com.

Table of Contents

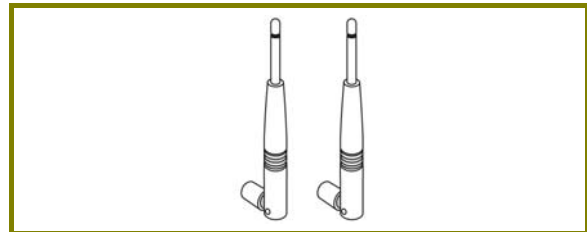
1. Package Content	1
2. Panel Explanation.....	2
3. Installation.....	4
4. Connection and Configuration	6
Connected As a Mesh Node (in Mesh Network)	7
Connected As an Access Point	7
5. Customer Service	10
Be a Registered Owner	10
Firmware & Tools Updates	10

1. Package Content

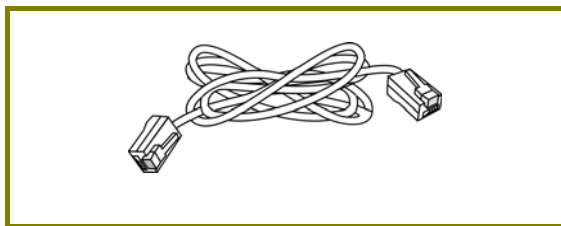
Take a look at the package content. If there is anything missed or damaged, please contact DrayTek or dealer immediately.



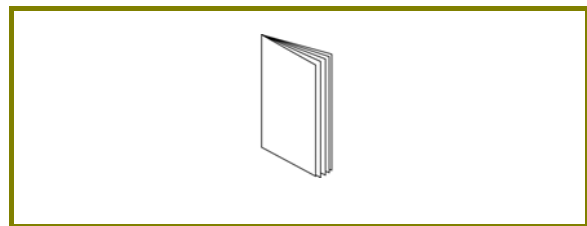
Access Point



Antenna

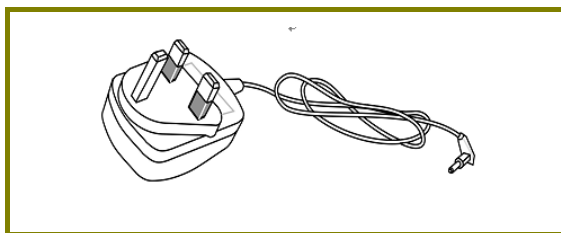


RJ-45 Cable (Ethernet)

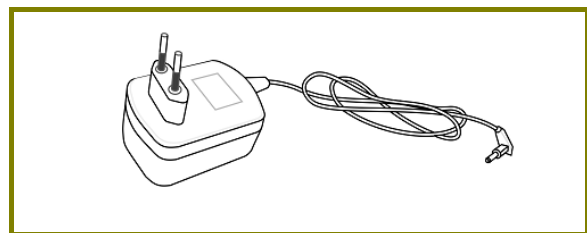


Quick Start Guide

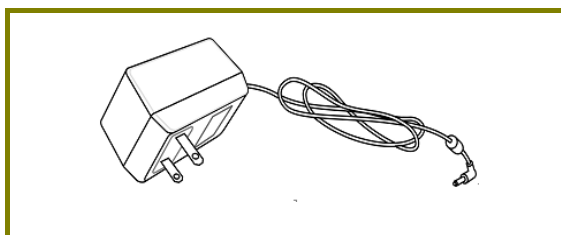
The type of the power adapter depends on the country that the AP will be installed:



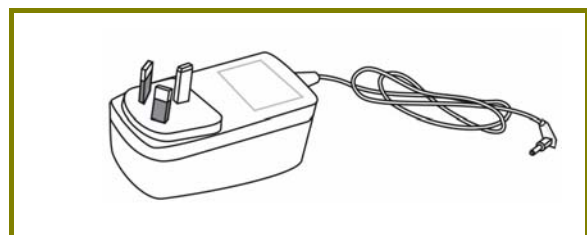
UK-type power adapter



EU-type power adapter



USA/Taiwan-type power adapter



AU/NZ-type Power Adapter



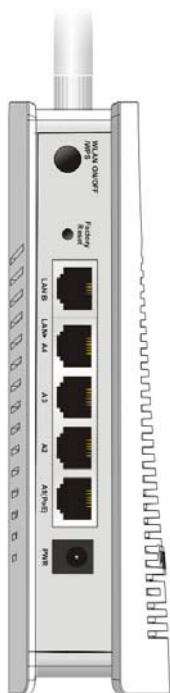
Note



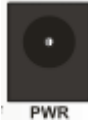


- The antenna/transmitter should be kept at least 20 cm away from human body.
- The maximum power consumption is 16 Watt.

2. Panel Explanation



LED	Status	Explanation
ACT	Off	The system is not ready or is failed.
	Blinking	The system is ready and can work normally.
USB	On	A USB device is connected and active.
	Blinking	The data is transmitting.
2.4G	On	Wireless function is ready.
	Off	Wireless function is not ready.
	Blinking	Data is transmitting (sending/receiving).
5G	On	Wireless function is ready.
	Off	Wireless function is not ready.
	Blinking	Data is transmitting (sending/receiving).
LAN A1 - A4	On	A normal connection (rate with 100M/1000M) is through its corresponding port.
	Off	LAN is disconnected.
	Blinking	Data is transmitting (sending/receiving).
LAN B	On	A normal connection (rate with 100M/1000M) is through its corresponding port.
	Off	LAN is disconnected.
	Blinking	Data is transmitting (sending/receiving).



Interface	Description
	<p>Wireless band will be switched /changed according to the button pressed and released. For example,</p> <ul style="list-style-type: none"> ● 2.4G (On) and 5G (On) - in default. ● 2.4G (Off) and 5G (On) - pressed and released the button once. ● 2.4G (On) and 5G (Off) - pressed and released the button twice. ● 2.4G (Off) and 5G (Off) - pressed and released the button three times. <p>WPS - When WPS function is enabled by web user interface, press this button for more than 2 seconds. The router will wait for any wireless client connecting to it through WPS.</p>
	<p>Restore the default settings. Usage: Turn on the router. Press the button and keep for more than 10 seconds. Then the router will restart with the factory default configuration.</p>
LAN B	<p>Connector for xDSL / Cable modem (Giga level) or router.</p>
LAN A4, A3, A2 A1 (PoE)	<p>Connector for xDSL / Cable modem (Giga level) / computer or router. LAN A1 is used for PoE connection (for indoor use).</p>
	<p>PWR: Connector for a power adapter.</p>
	<p>Connector for a USB device (for temperature sensor).</p>
	<p>Power switch.</p>



Note

- For the sake of security, make the accessory kit away from children.
- Remove the protective film from the access point before use to ensure ventilation.

3. Installation

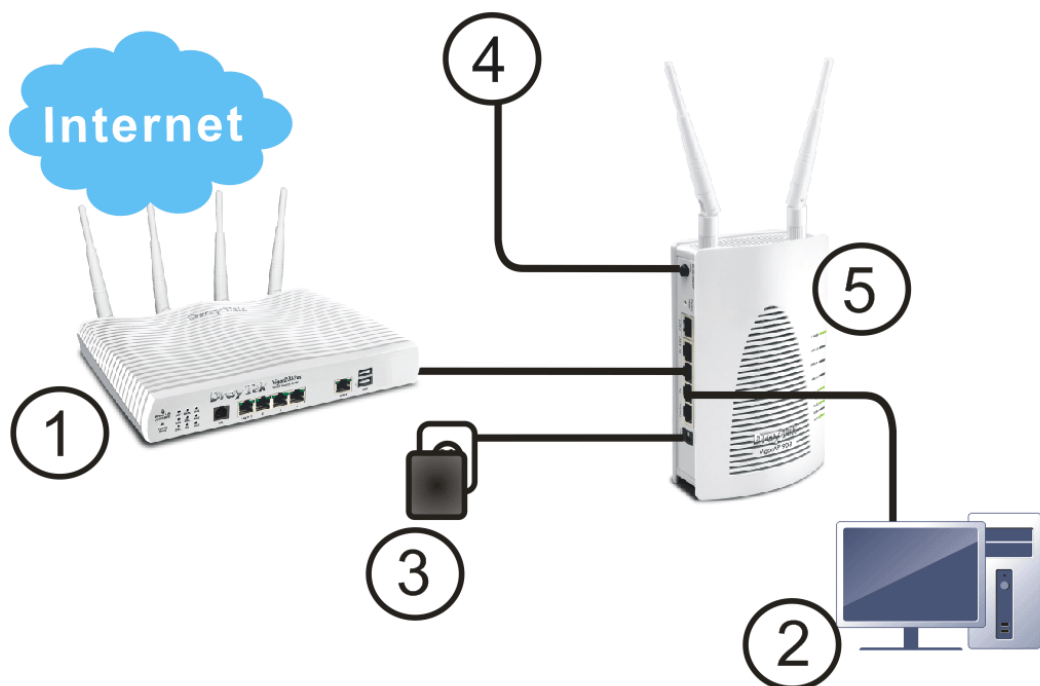
This section will guide you to install the AP through hardware / wall-mounting connection.

For hardware connection, refer to the following steps to connect your devices correctly.

1. Connect VigorAP 903 to xDSL modem, router, or switch/hub in your network through the LAN A port of the access point by Ethernet cable.

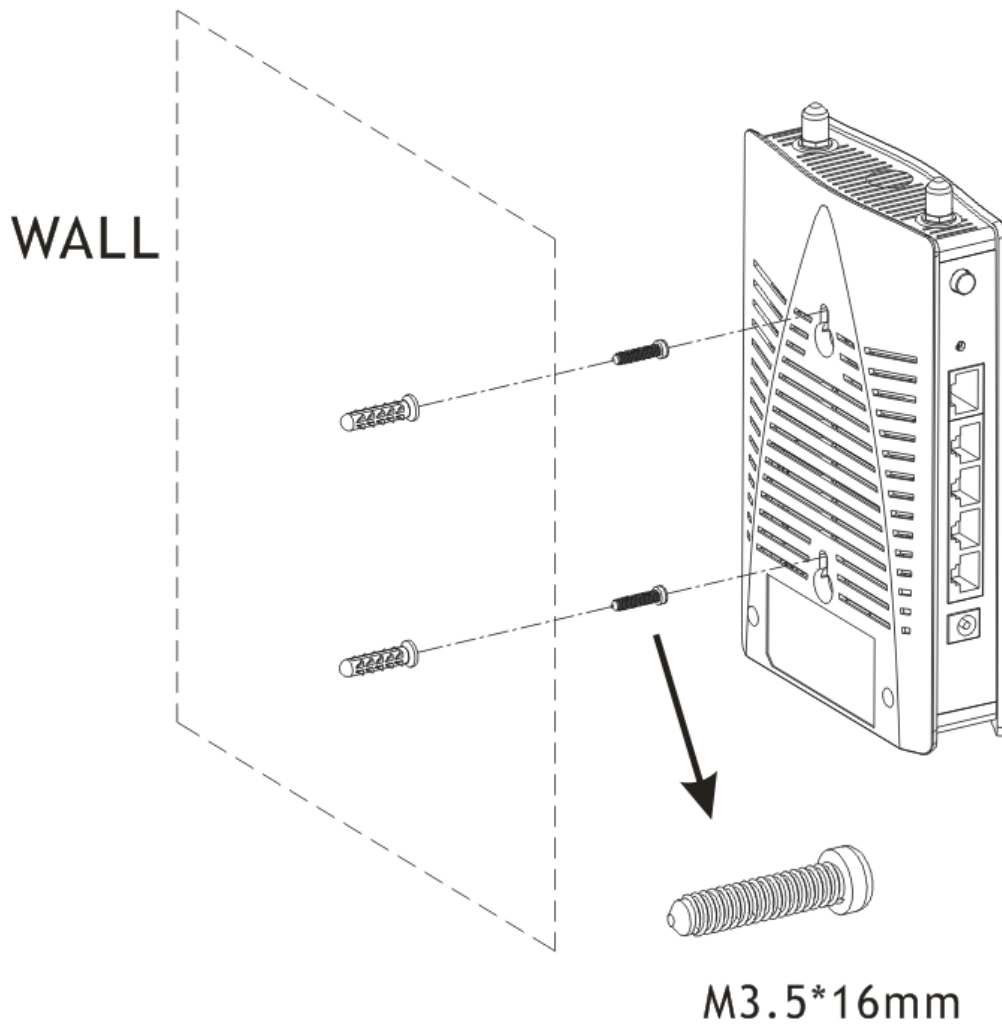
You can also connect VigorAP 903 to a Vigor router via wireless connection. For detailed information, refer to VigorAP 903 User's Guide.

2. Connect a computer to other available LAN A port. Make sure the subnet IP address of the PC is the same as VigorAP 903 management IP, e.g., 192.168.1.X.
3. Connect the A/C power adapter to the wall socket, and then connect it to the PWR connector of the access point.
4. Power on VigorAP 903.
5. Check all LEDs on the front panel. ACT LED should blink, LAN LEDs should be on if the access point is correctly connected to the xDSL modem, router or switch/hub.



For wall-mounting, refer to the following steps.

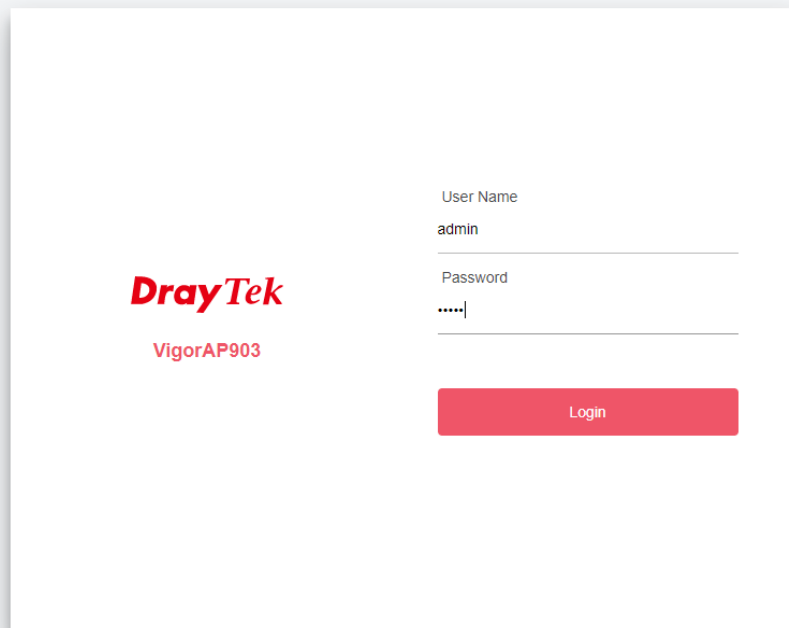
1. Drill two holes on the wall. The distance between the holes shall be 80mm. The recommended drill diameter shall be 6.5mm (1/4").
2. Fit screws into the wall using the appropriate type of wall plug.
3. Hang the VigorAP directly onto the screws.



4. Connection and Configuration

This section will guide you to configure AP settings to establish wireless network through a web browser.

1. Make sure your PC connects to the device correctly.
2. Open a web browser on your PC and type **http://192.168.1.2**. A pop-up window will open to ask for username and password. Please type "admin/admin" on Username/Password and click **Login**.



The screenshot shows the login interface for a DrayTek VigorAP903. On the left side, the DrayTek logo is displayed in red, with 'VigorAP903' written below it. On the right side, there are two input fields. The first is labeled 'User Name' and contains the text 'admin'. The second is labeled 'Password' and contains a series of dots followed by a vertical bar, indicating a masked password. Below these fields is a red button labeled 'Login'.



Note

You may either simply set up your computer to get IP dynamically from the router or set up the IP address of the computer to be in the same subnet as the IP address of VigorAP 903.

- If there is no DHCP server on the network, then VigorAP 903 will have an IP address of 192.168.1.2.
 - If there is DHCP available on the network, then VigorAP 903 will receive its IP address via the DHCP server.
 - If you connect to VigorAP by wireless LAN, you could try to access the web user interface through <http://vigorap.com>.
-

Connected As a Mesh Node (in Mesh Network)

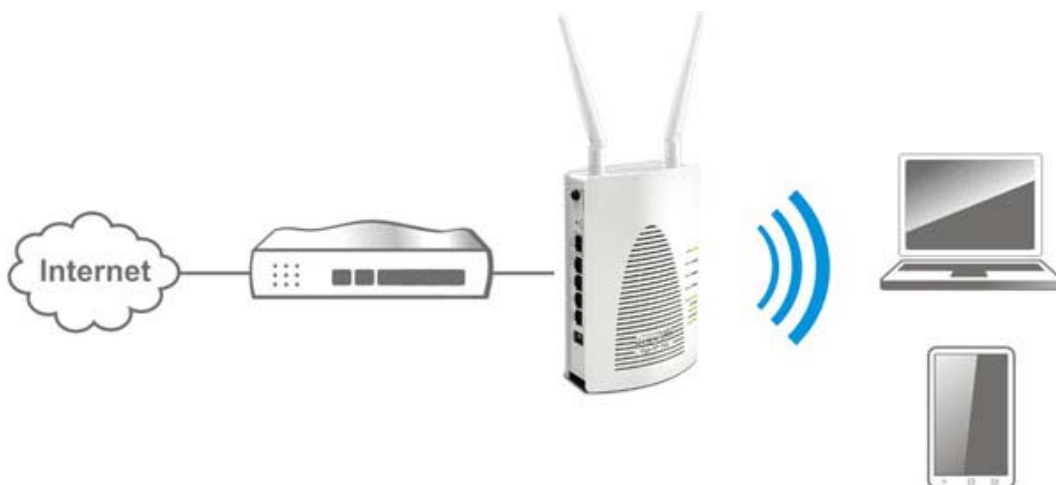


- 1** Install VigorAP on the place you want.
- 2** As a mesh node, settings related to VigorAP 903 must be configured by a remote Mesh Root (e.g., VigorAP 903) within the mesh network. The user must detect VigorAP 903 via a Mesh Root to add it as a mesh node.

Connected As an Access Point

As an access point, VigorAP 903 must be connected to a router and configured in AP (Access Point) / Range Extender mode.

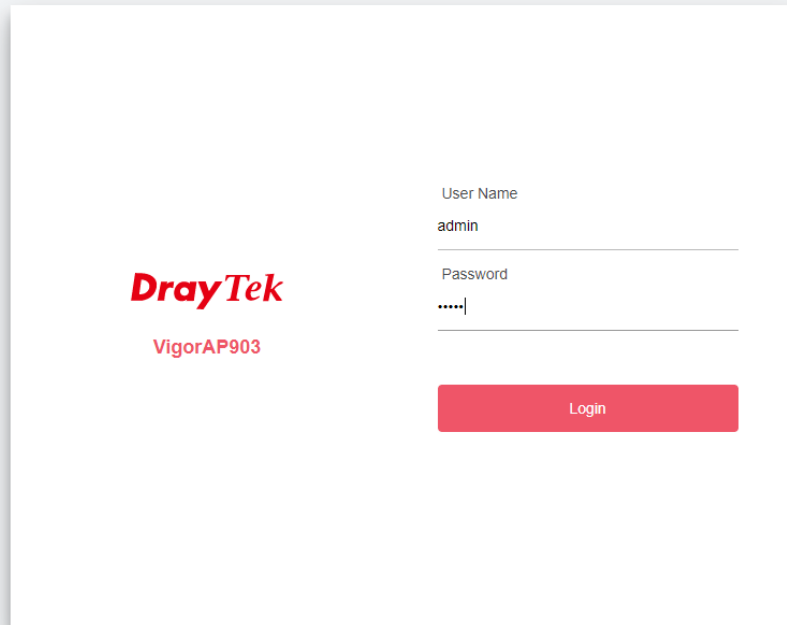
- 1** Connect VigorAP to a Vigor router.
- 2** Use a twisted-pair cable with RJ-45 plugs at both ends, and plug into Ethernet device (e.g., Vigor router) and Ethernet port of VigorAP.



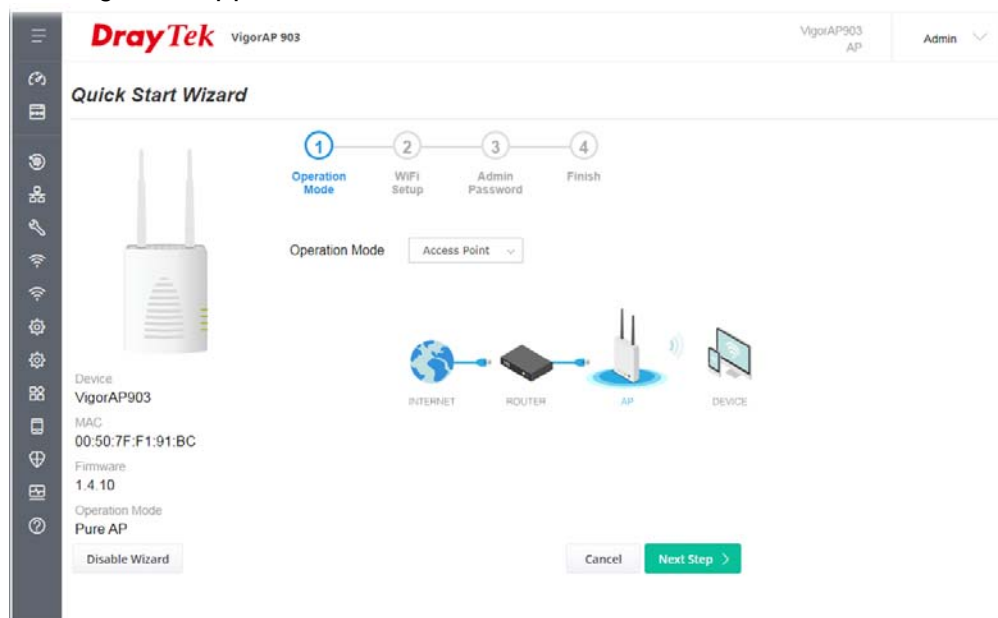
3 There are **two methods** to configure VigorAP.

Method 1:

(a) First, open a web browser on your PC and type **https://192.168.1.2**. A pop-up window will open to ask for username and password.



(b) After clicking **Login**, **Quick Start Wizard** for configuring wireless settings will appear as follows.



(c) Follow the on-screen steps to finish the network connection.

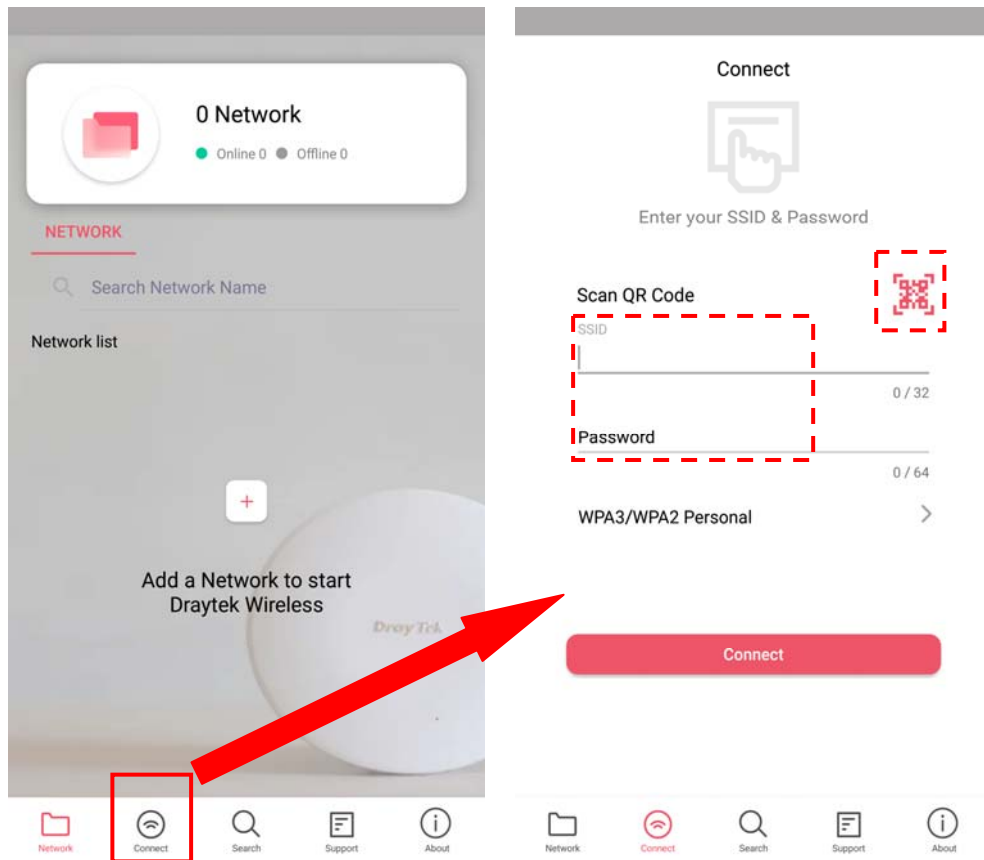
Method 2:

- (a) Use a mobile phone to scan the QR code named with **DrayTek Wireless App** to download DrayTek Wireless APP.



- (b) After downloading, run the APP.
- (c) From the home page, click the **Connect** icon to access the **Connect** page. Next, press the QR code icon next to Scan QR Code on your phone screen to open the camera.

Scan the QR code named with **Connect SSID** to access the web user interface (configuration wizard) of VigorAP. (For iOS users, the SSID and the password will be shown first. Simply click the **Connect** button to access the web user interface of VigorAP.)



5. Customer Service

If the device cannot work correctly after trying many efforts, please contact your dealer/DrayTek for further help right away. For any questions, please feel free to send e-mail to "support@draytek.com".

Be a Registered Owner

Web registration is preferred. You can register your Vigor router via <https://myvigor.draytek.com>.

Firmware & Tools Updates

Due to the continuous evolution of DrayTek technology, all routers will be regularly upgraded. Please consult the DrayTek web site for more information on newest firmware, tools and documents.

<https://www.draytek.com>

GPL Notice This DrayTek product uses software partially or completely licensed under the terms of the GNU GENERAL PUBLIC LICENSE. The author of the software does not provide any warranty. A Limited Warranty is offered on DrayTek products. This Limited Warranty does not cover any software applications or programs.

To download source codes please visit:

<http://gplsource.draytek.com>

GNU GENERAL PUBLIC LICENSE:

<https://gnu.org/licenses/gpl-2.0>

Version 2, June 1991

For any question, please feel free to contact DrayTek technical support at support@draytek.com for further information.