

DrayTek

VigorAP 900

Concurrent Dual Band AP

- Concurrent Dual Band 802.11n AP
- 802.3af Power over Ethernet (PoE-PD)
- Wi-Fi multimedia (WMM) quality of service features
- Comprehensive and trusted security
- 4 SSIDs for each band (2.4G/5G)
- Support 5 Gigabit LAN ports
- Embedded USB printer server
- 2 VLAN groups managing both wired (Ports) & wireless clients (SSIDs)
- Multiple operation modes for 2.4G Wireless
- TR-069 for LAN-A: firmware upgrade, configuration backup and restore
- Unified devices management portal offer single-panel view across AP Management



The VigorAP 900 is the business-grade concurrent Dual Band Gigabit 802.11n Access Point. You can establish a stable and extendable wireless network. The dual band (2.4G/5G) allows essential applications to operate in the less interference environment. The MIMO technology offers the advance wireless network standard for the coverage, backward compatible with 802.11b/g. The Power over Ethernet (PoE) by LAN A1 port eases the installation no matter where the power plug is. The robust management and simple configuration deliver reliable and secure wireless local area networks (WLANs). On the hand, the VigorAP 900 with 5 Gigabit LAN ports enhances the data transmission for wired connected devices as well.

Simultaneous Dual Band for less interference

The VigorAP 900 delivers 2.4G & 5G band simultaneously. The 5G band can reserve for the most essential application, such as video call, which requires less interference and latency. The 2.4G band can serve the application with more tolerance of latency, such as the e-mail.

PoE for easy installation

The LAN A1 port supports 802.3af Power over Ethernet (PoE) to deliver both data and power by the single cable. You can place the VigorAP 900 based on the best spot to extend wireless coverage, not limited by the location of the power plug.

WMM for Wi-Fi application prioritization

The VigorAP 900 supports Wi-Fi Multi Media standard (WMM) for Quality-of-Service (QoS) in Wi-Fi networks. WMM improves audio, video and voice applications transmitted over Wi-Fi. It adds prioritized capabilities to Wi-Fi networks and optimizes their performance when multiple concurring applications, each with different latency and throughput requirements, compete for network resources.

SSID + 2 VLAN groups for network security

The VigorAP 900 supports 4 separate SSIDs and two virtual LANs (VLANs). You can set certain SSID(s) accessing Internet through either VLAN A or B. The 2.4G and 5G band each has 4 SSID to separate the access. As a result, the VigorAP 900 divides itself into several virtual access points all

within a single box. The wired connected devices can be categorized to either VLAN group by the connected LAN ports (Ethernet RJ45 interfaces). Devices connected to LAN A1-A4 ports belong to VLAN A group and LAN B port for VLAN B group. The organization can simply separate the public and corporate network to reduce the risk.

Comprehensive WLAN security control

The MAC Address Control only allows clients within the authenticated list to join with the WLAN. It manages the wireless resources and prevents network breaking. With industry level security standards for wireless user authentication and data encryption, 802.11i (WPA2) offers strengthened and interoperable wireless networking security. The 802.1x authentication is also available. The VigorAP 900 can act as the internal RADIUS server (Remote Authentication Dial-in User Service) or work with the external one to manage and store user names and passwords.

Extendible wireless coverage

The Wireless Distribution System (WDS) takes care of the establishment of WLAN network with "point-to-point" and "point-to-multipoint". These modes extend wireless access to additional clients where there is a relay AP repeats signal from a base AP to distant clients. The bridge-to-bridge mode allows two wired networks to be connected across some distance. The Universal Repeater mode is also available which eases settings as trying to extend wireless coverage from another AP than WDS mode. The VigorAP 900 can simultaneously be the wireless client to connect to another AP and offer Wi-Fi access to other wireless devices. In addition, you can get even better wireless performance as choosing Universal Repeater to extend coverage. It significantly reduces the signal decrease from the base AP to replay APs.

AP Management

The VigorAP 900 is the client for the AP Management. The network administrator can directly configure the VigorAP 900s through selected Vigor routers. Taking the Vigor2860 Series as an example, the administrator can define the VigorAP 900's SSID, encryption rule, MAC address control, upload /download limit right from the router. The status of the VigorAP 900s can also be viewed via the router.

Wireless AP

- IEEE802.11a/b/g/n Compliant
- Mode
 - 802.11b/g/n 2.4G Band:
 - AP Mode
 - Station Infrastructure*
 - AP Bridge Point to Point
 - AP Bridge Point to Multipoint
 - AP Bridge WDS (Wireless Distribution System)
 - Universal Repeater
 - 802.11a/n 5G Band:
 - AP Mode*
 - Universal Repeater*
- Wireless Client List
- 64/128-bit WEP/WPA/WPA2
- Multiple/Hidden SSID
- WPS
- WMM
- MAC Address Control
- Wireless Isolation
- Internal Radius Server
- MAC Clone
- 802.1x Authentication
 - Internal RADIUS Server Support PEAP
 - RADIUS Proxy Support TLS & PEAP
- DHCP Server & Client
- VLAN Grouping and SSID Mapping for LAN A & B
- Management VLAN for LAN A & B
- Limited Wireless Clients (Up to 64 Clients)

USB

- Printer Server

Network Management

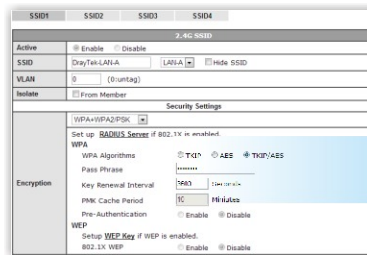
- Web-based User Interface (HTTP/HTTPS*)
- CLI (Command Line Interface, Telnet)
- Configuration Backup/Restore
- Firmware Upgrade via HTTP/TR-069
- Syslog
- SNMP V2/V2c/V3*
- TR069 (Compliant with VigorACS SI)
- AP Management (with Vigor Series Routers)

Hardware Interface

- 5 x 10/100/1000M Base-T LAN Switch, RJ-45 (LAN A1 for PoE Indoor Use)
- 1 x USB 2.0 Host for Printer
- 2 x Detached Antennas
- 1 x Factory Reset Button
- 1 x Wireless ON / OFF / WPS Button
- 1 x Power ON / OFF Button

AP Management

WLAN Setting



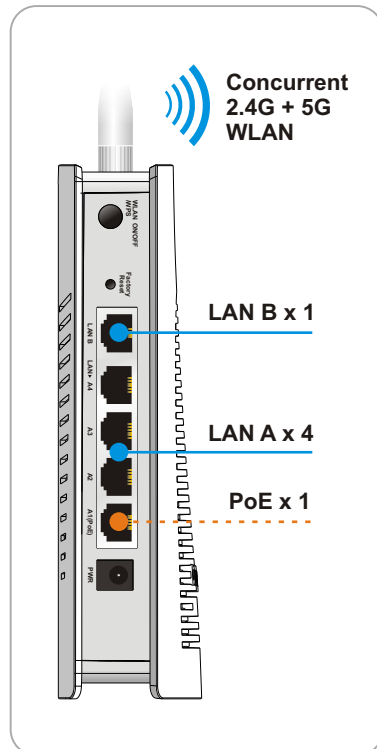
AP Status

| Index | Device Name | IP Address | SSID | Ch. | Encryption | Wl. Clients | Firmware | Password |
|-------|--------------|-----------------|-----------------|------------|------------------|-------------|----------|----------|
| 1 | AP800_1A2B3C | 192.168.254.253 | Draytek-pp | Auto(ch13) | 802.1x(WPA/WPA2) | 10/64 | 1.1.01 | Password |
| 2 | AP800-5F | 192.168.254.230 | Draytek-hw | ch13 | WPA2-AES | --- | 1.1.0 | Password |
| 3 | AP800-1F2A | 192.168.254.112 | Draytek-1234567 | ch6 | None | 2/64 | 1.1.0 | Password |

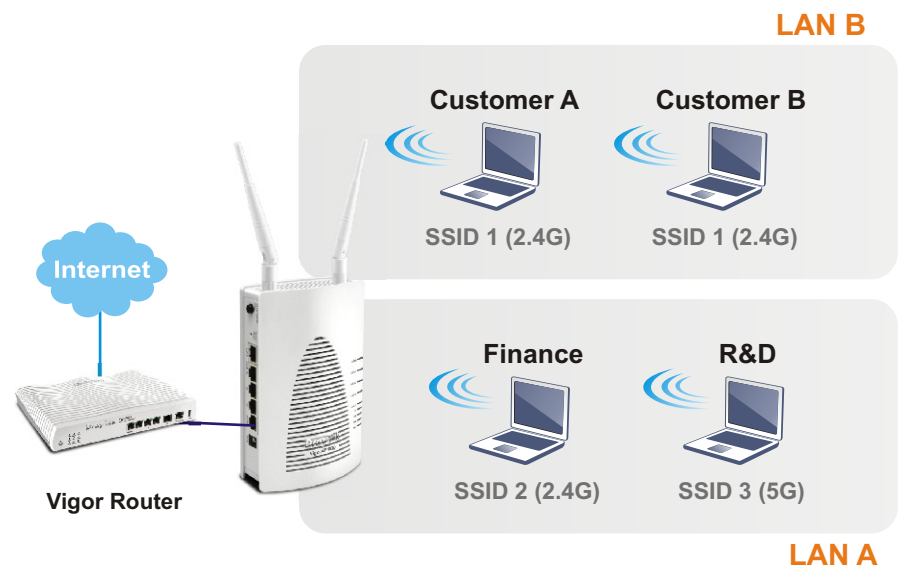
Note:
Green : Online Red : Offline Gray : Hidden SSID

Vigor Router

VigorAP 900



Dual-LAN



Note: The 2.4G and 5G band each has 4 SSIDs to separate the access.