

# **Vigor2927**

## **Dual-WAN Security Router**

### **Quick Start Guide**

#### **(for Wired Model)**

**Version: 2.1**

**Firmware Version: V4.4.5.5**

**(For future update, please visit DrayTek web site)**

**Date: September 25, 2024**

## Intellectual Property Rights (IPR) Information

<b>Copyrights</b>	© All rights reserved. This publication contains information that is protected by copyright. No part may be reproduced, transmitted, transcribed, stored in a retrieval system, or translated into any language without written permission from the copyright holders.
<b>Trademarks</b>	The following trademarks are used in this document: <ul style="list-style-type: none"><li>● Microsoft is a registered trademark of Microsoft Corp.</li><li>● Windows, 8, 10, 11 and Explorer are trademarks of Microsoft Corp.</li><li>● Apple and Mac OS are registered trademarks of Apple Inc.</li><li>● Other products may be trademarks or registered trademarks of their respective manufacturers.</li></ul>

## Safety Instructions and Approval

<b>Safety Instructions</b>	<ul style="list-style-type: none"><li>● Read the installation guide thoroughly before you set up the router.</li><li>● The router is a complicated electronic unit that may be repaired only by authorized and qualified personnel. Do not try to open or repair the router yourself.</li><li>● Do not place the router in a damp or humid place, e.g. a bathroom.</li><li>● Do not stack the routers.</li><li>● The router should be used in a sheltered area, within a temperature range of +5 to +40 Celsius.</li><li>● Do not expose the router to direct sunlight or other heat sources. The housing and electronic components may be damaged by direct sunlight or heat sources.</li><li>● Do not deploy the cable for LAN connection outdoor to prevent electronic shock hazards.</li><li>● Do not power off the router when saving configurations or firmware upgrades. It may damage the data in a flash. Please disconnect the Internet connection on the router before powering it off when a TR069/ACS server manages the router.</li><li>● Keep the package out of reach of children.</li><li>● When you want to dispose of the router, please follow local regulations on conservation of the environment.</li></ul>
<b>Warranty</b>	We warrant to the original end user (purchaser) that the router will be free from any defects in workmanship or materials for a period of two (2) years from the date of purchase from the dealer. Please keep your purchase receipt in a safe place as it serves as proof of date of purchase. During the warranty period, and upon proof of purchase, should the product have indications of failure due to faulty workmanship and/or materials, we will, at our discretion, repair or replace the defective products or components, without charge for either parts or labor, to whatever extent we deem necessary to restore the product to proper operating condition. Any replacement will consist of a new or re-manufactured functionally equivalent product of equal value, and will be offered solely at our discretion. This warranty will not apply if the product is modified, misused, tampered with, damaged by an act of God, or subjected to abnormal working conditions. The warranty does not cover the bundled or licensed software of other vendors. Defects which do not significantly affect the usability of the product will not be covered by the warranty. We reserve the right to revise the manual and online documentation and to make changes from time to time in the contents hereof without obligation to notify any person of such revision or changes.



### EU Declaration of Conformity

Hereby, DrayTek Corporation declares that the equipment type Vigor2927 is in compliance with EU EMC Directive 2014/30/EU, Low Voltage Directive 2014/35/EU and RoHS 2011/65/EU.

The full text of the EU Declaration of Conformity is available at the following internet address:  
<https://fw.draytek.com.tw/Vigor2927/Document/CE/>

- Product name: Dual-WAN Security Router
- Model number: Vigor2927
- Manufacturer: DrayTek Corp.
- Address: No. 26, Fushing Rd., Hukou, Hsinchu Industrial Park, Hsinchu 303, Taiwan.



### Declaration of Conformity

Hereby, DrayTek Corporation declares that the equipment type Vigor2927 is in compliance with The Electromagnetic Compatibility Regulations 2016 (SI 2016 No.1091), The Electrical Equipment (Safety) Regulations 2016 (SI 2016 No.1101), and The Restriction of the Use of Certain Hazardous Substances in Electrical and Electronic Equipment Regulations 2012 (SI 2012 No. 3032).

The full text of the EU Declaration of Conformity is available at the following internet address:  
<https://fw.draytek.com.tw/Vigor2927/Document/CE/>

- Product name: Dual-WAN Security Router
- Model number: Vigor2927
- Manufacturer: DrayTek Corp.
- Address: No. 26, Fushing Rd., Hukou, Hsinchu Industrial Park, Hsinchu 303, Taiwan



### UK PSTI STATEMENT OF COMPLIANCE

We, DrayTek Corp., office at No.26, Fushing Rd., Hukou, Hsinchu Industrial Park, Hsinchu 303, Taiwan, declare under our sole responsibility that the product

The full text of the PSTI Declaration of Conformity is available at the following internet address:  
<https://fw.draytek.com.tw/UK/PSTI/>

- Product name: Security Router with WLAN/5G-NR/LTE/VoIP
- Model number: Vigor2927Vac, Vigor2927Lac, Vigor2927ac, Vigor2927Lax-5G, Vigor2927L-5G, Vigor2927Lax, Vigor2927Vax, Vigor2927ax, Vigor2927
- Manufacturer: DrayTek Corp.
- Address: No.26, Fushing Rd., Hukou, Hsinchu Industrial Park, Hsinchu 303, Taiwan

is in conformity with the relevant UK Statutory Instruments: The Product Security and Telecommunications Infrastructure (Security Requirements for Relevant Connectable Products) Regulations 2023 (“Security Requirements”).

Standard	Version
The Product Security and Telecommunications Infrastructure Regulations	2023 Schedule 1
Support Period	5 years after the EOL notification

Please note that this statement of compliance, including the Defined Support Period stated herein, is only applicable to products sold in the UK.

This Statement of Compliance is retained by DrayTek for 10 years after date of issue.

Hsinchu  
(place)

11th Apr., 2024  
(date)

Alan Wen  
General Manager Office. VP  
(Legal Signature)

## External Power Supply ErP Information

\*The external power supply used for each product will be model dependent.

		1	2	3	4	5	6	7	8	9	10	11	12
A	Manufacturer	CWT	CWT	CWT	CWT	CWT	APD	APD	APD	APD	MOSO	MOSO	MOSO
B	Address	No. 222, Sec. 2 Nankan Rd., Lujhu Township, Taoyuan County 338, Taiwan	No. 222, Sec. 2 Nankan Rd., Lujhu Township, Taoyuan County 338, Taiwan	No. 222, Sec. 2 Nankan Rd., Lujhu Township, Taoyuan County 338, Taiwan	No. 222, Sec. 2 Nankan Rd., Lujhu Township, Taoyuan County 338, Taiwan	No. 222, Sec. 2 Nankan Rd., Lujhu Township, Taoyuan County 338, Taiwan	No. 5, Lane 83, Lung-Sou St., Taoyuan City 330, Taiwan	No. 5, Lane 83, Lung-Sou St., Taoyuan City 330, Taiwan	No. 5, Lane 83, Lung-Sou St., Taoyuan City 330, Taiwan	No. 5, Lane 83, Lung-Sou St., Taoyuan City 330, Taiwan	Sangtai Industrial Park, Guanwai Xiaobaimang Songbai Road, Nanshan District, 518108 Shenzhen, Guangdong, China	Sangtai Industrial Park, Guanwai Xiaobaimang Songbai Road, Nanshan District, 518108 Shenzhen, Guangdong, China	Sangtai Industrial Park, Guanwai Xiaobaimang Songbai Road, Nanshan District, 518108 Shenzhen, Guangdong, China
C	Model identifier	2ABB012F UK 2ABB012F EU	2ABB018F UK 2ABB018F EU	2ABL024F UK 2ABL024F EU	2ABL030F UK 2ABL030F EU	2ABN036F UK 2ABN036F EU	WA-12M12FG WA-12M12FK	WB-18D12FG WB-18D12FK	WA-24Q12FG WA-24Q12FK	WA-36A12FG WA-36A12FK	MSS-V2000R120-024Q0-GB MSS-V2000R120-024Q0-DE	MSS-V2500WR120-030E0-GB MSS-V2500WR120-030E0-DE	V30-V3000R120-036T0-GB V30-V3000R120-036T0-DE
D	Input voltage	100-240V	100-240V	100-240V	100-240V	100-240V	100-240V	100-240V	100-240V	100-240V	100-240V	100-240V	100-240V
E	Input AC frequency	50/60Hz	50/60Hz	50/60Hz	50/60Hz	50/60Hz	50/60Hz	50/60Hz	50/60Hz	50/60Hz	50/60Hz	50/60Hz	50/60Hz
	Output voltage DC	12.0V	12.0V	12.0V	12.0V	12.0V	12.0V	12.0V	12.0V	12.0V	12.0V	12.0V	12.0V
F	Output current	1.0A	1.5A	2.0A	2.5A	3.0A	1.0A	1.5A	2.0A	3.0A	2.0A	2.5A	3.0A
G	Output power	12.0W	18.0W	24.0W	30.0W	36.0W	12.0W	18.0W	24.0W	36.0W	24.0W	30.0W	36.0W
H	Average active efficiency	84.9%	86.2%	87.6%	87.8%	89.8%	83.7%	85.4%	88.6%	88.2%	87.8%	89.5%	89.3%
I	Efficiency at low load 10%	73.6%	78.0%	81.3%	83.3%	83.7%	74.5%	80.5%	86.4%	85.4%	85.4%	84.7%	87.7%
J	No-load power consumption	0.07W	0.07W	0.07W	0.07W	0.07W	0.07W	0.10W	0.07W	0.10W	0.10W	0.08W	0.10W

External power supply (Power Adapter) information. For more update, please visit [www.draytek.com](http://www.draytek.com).



## Regulatory Information

### Federal Communication Commission Interference Statement

This equipment has been tested and found to comply with the limits for a Class B digital device, pursuant to Part 15 of the FCC Rules. These limits are designed to provide reasonable protection against harmful interference in a residential installation. This equipment generates, uses and can radiate radio frequency energy and, if not installed and used in accordance with the instructions, may cause harmful interference to radio communications. However, there is no guarantee that interference will not occur in a particular installation. If this equipment does cause harmful interference to radio or television reception, which can be determined by turning the equipment off and on, the user is encouraged to try to correct the interference by one of the following measures:

- Reorient or relocate the receiving antenna.
- Increase the separation between the equipment and receiver.
- Connect the equipment into an outlet on a circuit different from that to which the receiver is connected.
- Consult the dealer or an experienced radio/TV technician for help.

This device complies with Part 15 of the FCC Rules. Operation is subject to the following two conditions:

- (1) This device may not cause harmful interference, and
- (2) This device may accept any interference received, including interference that may cause undesired operation.

USA Local Representative	Company name	ABP International Inc.		
	Address	13988 Diplomat Drive Suite 180 Dallas TX 75234		
	ZIP Code	75234	E-mail	henry@abptech.com
	Contact Person	Mr. Henry N Castillo	Tel.	(972)831-1600 140

### Caution:

Any changes or modifications not expressly approved by the party responsible for compliance could void the user's authority to operate this equipment.



## ***Table of Contents***

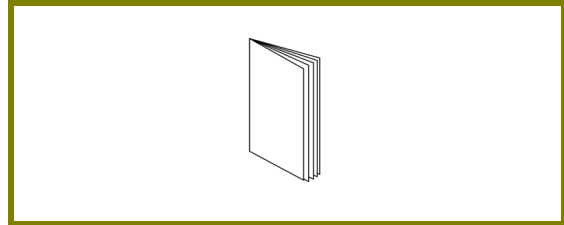
<b>1. Package Content .....</b>	<b>1</b>
<b>2. Panel Explanation.....</b>	<b>2</b>
2.1 Vigor2927 .....	2
<b>3. Hardware Installation .....</b>	<b>4</b>
3.1 Network Connection .....	4
3.2 Wall-Mounted Installation .....	5
<b>4. Software Configuration .....</b>	<b>6</b>
<b>5. Customer Service .....</b>	<b>13</b>
Be a Registered Owner .....	13
Firmware & Tools Updates .....	13

# 1. Package Content

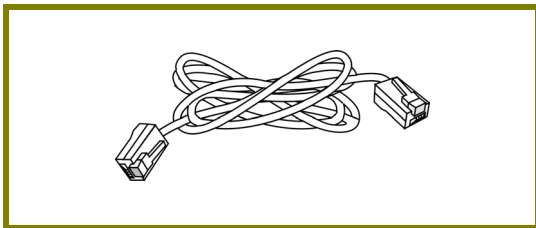
Take a look at the package content. If there is anything missed or damaged, please contact DrayTek or dealer immediately. Besides, the content is subject to the real package.



**Vigor Router**

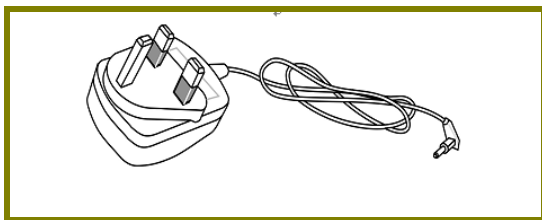


**Quick Start Guide**

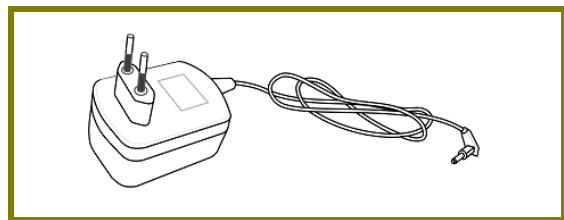


**RJ-45 Cable (Ethernet)**

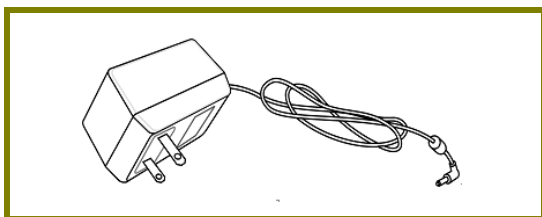
The type of the power adapter depends on the country that the router will be installed. \* The maximum power consumption is **22 Watt**.



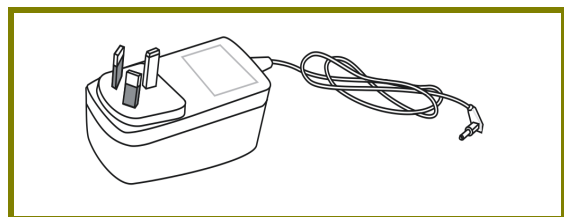
**UK-type Power Adapter**



**EU-type Power Adapter**



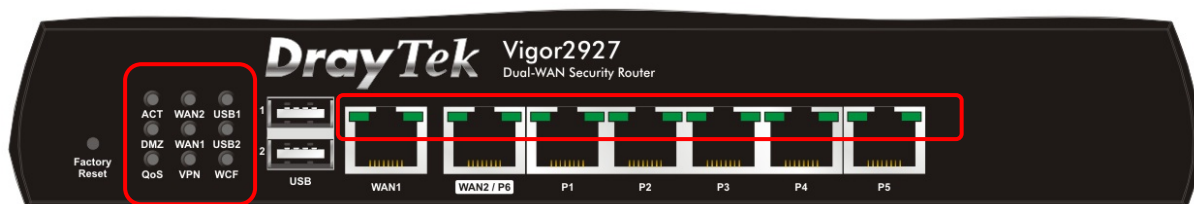
**USA/Taiwan-type Power Adapter**



**AU/NZ-type Power Adapter**

## 2. Panel Explanation

### 2.1 Vigor2927



LED	Status	Explanation
ACT	Off	The router is powered off.
	Blinking	The router is powered on and running normally.
WAN2/WAN1	On	Internet connection is ready.
	Off	Internet connection is not ready.
	Blinking	The data is transmitting.
USB1/USB2	On	USB device is connected and ready for use.
	Off	No USB device is connected.
	Blinking	The data is transmitting.
DMZ	On	The DMZ function is enabled.
	Off	The DMZ function is disabled.
	Blinking	The data is transmitting.
QoS	On	The QoS function is active.
	Off	The QoS function is inactive.
VPN	On	The VPN tunnel is active.
	Off	VPN services are disabled
	Blinking	Traffic is passing through VPN tunnel.
WCF	On	The Web Content Filter is active. (It is enabled from <b>Firewall &gt;&gt; General Setup</b> ).
	Off	WCF is disabled.
WAN1, WAN2 / P6		
Left LED	On	The port is connected.
	Off	The port is disconnected.
	Blinking	The data is transmitting.
Right LED	On	The port is connected with 1000Mbps.
	Off	The port is connected with 10/100Mbps.
LAN P1-P5		
Left LED	On	The port is connected.
	Off	The port is disconnected.
	Blinking	The data is transmitting.
Right LED	On	The port is connected with 1000Mbps.
	Off	The port is connected with 10/100Mbps



Interface	Description
Factory Reset	Restore the default settings. Usage: Turn on the router (ACT LED is blinking). Press the hole and keep for more than 5 seconds. When you see the ACT LED begins to blink rapidly than usual, release the button. Then the router will restart with the factory default configuration.
USB	Connector for a USB device (for 3G/4G USB Modem or printer or thermometer).
WAN1	Connector for local network devices or modem for accessing Internet.
WAN2 / P6	Connector for local network devices or modem for accessing Internet. It is a switchable port. It can be used for LAN connection or WAN connection according to the settings configured in WUI.
LAN P1-P5	Connectors for local network devices.
PWR	Connector for a power adapter.
ON/OFF	Power Switch.



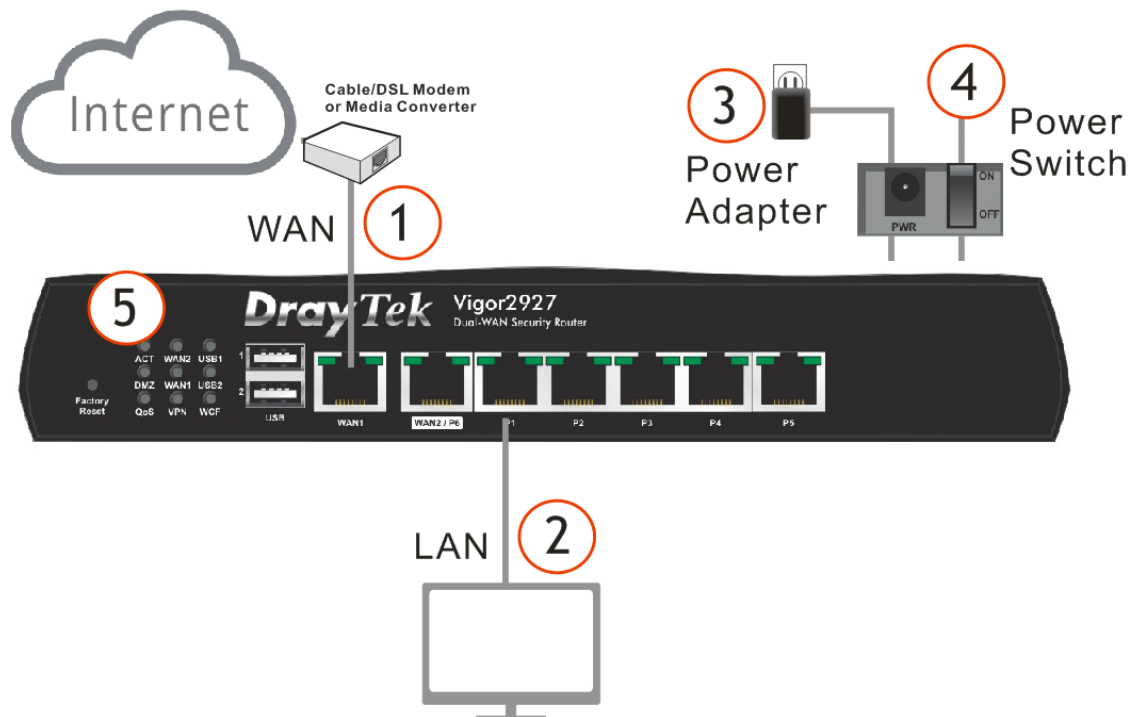
### 3. Hardware Installation

This section will guide you to install the router through hardware connection and configure the router's settings through web browser.

Before starting to configure the router, you have to connect your devices correctly.

#### 3.1 Network Connection

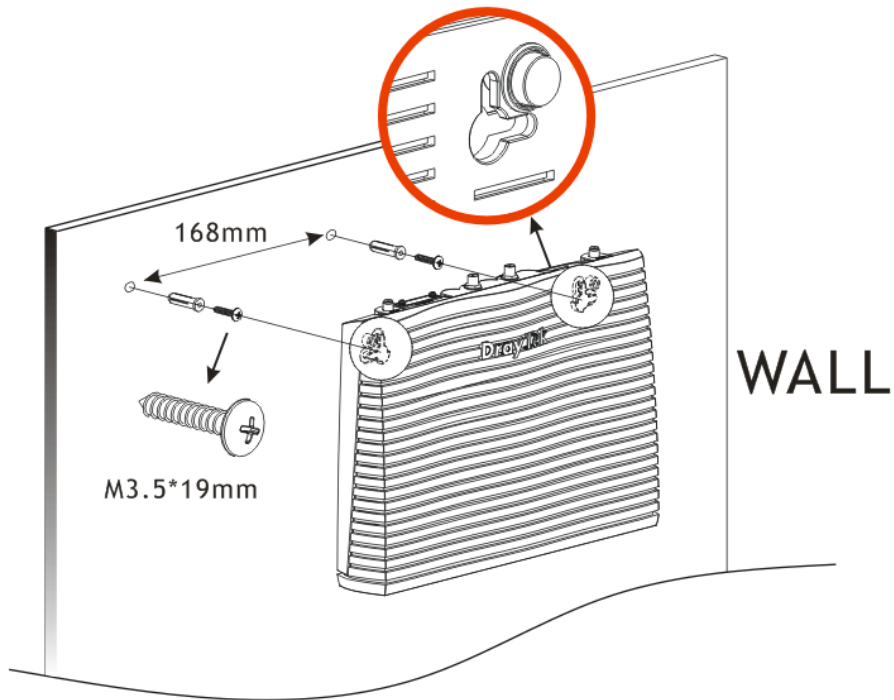
1. Connect the cable Modem/DSL Modem/Media Converter to any WAN port of router with Ethernet cable (RJ-45).
2. Connect one end of an Ethernet cable (RJ-45) to one of the LAN ports of the router and the other end of the cable (RJ-45) into the Ethernet port on your computer.
3. Connect one end of the power adapter to the router's power port on the rear panel, and the other side into a wall outlet.
4. Power on the device by pressing down the power switch on the rear panel.
5. The system starts to initiate. After completing the system test, the **ACT** LED will light up and start blinking. (For the detailed information of LED status, please refer to section 2. Panel Explanation)



### 3.2 Wall-Mounted Installation

Vigor router has keyhole type mounting slots on the underside.

1. Drill two holes on the wall. The distance between the holes shall be 168mm.
2. Fit screws into the wall using the appropriate type of wall plug.



---

**Note**

The recommended drill diameter shall be 6.5mm (1/4").

---

3. When you finished about procedure, the router has been mounted on the wall firmly.

## s4. Software Configuration

To access Internet, please finish basic configuration after completing the hardware installation.

The **Quick Start Wizard** is designed for you to easily set up your router for Internet access. You can directly access the **Quick Start Wizard** via Web User Interface. Make sure your PC connects to the router correctly.



### Note

You may either simply set up your computer to get IP dynamically from the router or set up the IP address of the computer to be the same subnet as the **default IP address of Vigor router 192.168.1.1**. For the detailed information, please refer to - Trouble Shooting of the user's guide.

Open a web browser on your PC and type **http://192.168.1.1**. A pop-up window will open to ask for username and password.

Please enter “admin/admin” as the Username/Password and click **Login**.

Next, the following page will appear. You must change the login password before accessing the web user interface. Please set a password with the highest level of strength for network security.

For security reason, you must change the password before proceeding to the router webpage

### New Password

Password	*****
Confirm Password	*****

Password Strength:

Weak Medium **Strong**

Strong password requirements:

1. Minimal length is 8 characters.
2. Must use at least 1 Upper and 1 lower character.
3. Must use at least 1 numeric or special character.
4. The Password cannot contain only the character "\*".

OK



**Note**

If you fail to access to the web configuration, please go to “Trouble Shooting” on User’s Guide for detecting and solving your problem.

Now, the Main Screen will pop up. Click **Wizards>>Quick Start Wizard**.

**DrayTek Vigor2927 Series**

**Dashboard**

**System Information**

Model Name	Vigor2927Lax-5G	System Uptime	00:34:25
Router Name	DrayTek	Current Time	Mon Sep 23 2024 08:49:53
Firmware Version	4.4.5.5	Build Date/Time	Aug 14 2024 11:43:00
		LAN MAC Address	14-49-BC-6D-C3-08

**IP4 LAN Information**

Line	IP Address	DHCP	Line	IP Address	DHCP
LAN1	192.168.1.1/24	v	LAN7	192.168.7.1/24	v
LAN3	192.168.3.1/24	v	LAN4	192.168.4.1/24	v
LAN5	192.168.5.1/24	v	LAN6	192.168.6.1/24	v
LAN7	192.168.7.1/24	v	LAN8	192.168.8.1/24	v
DMZ_PORT	192.168.254.1/24	v	IP Routed Subnet	192.168.0.1/24	v

**IP4 Internet Access**

Line / Mode	IP Address	MAC Address	Up Time
WAN1 Ethernet / DHCP Client	Disconnected	14-49-BC-6D-C3-09	00:00:00
WAN2 Ethernet / Static IP	172.16.3.132	14-49-BC-6D-C3-0A	00:34:04
5G-NR USB / DHCP Client	Disconnected	00-A0-C6-00-00-55	00:00:00
WAN6 USB / ---	Disconnected	14-49-BC-6D-C3-0E	00:00:00

**Interface**

Interface	Status	Speed	Ports
WAN	Connected	1 G	WAN1 WAN2 5G-NR WAN6
LAN	Connected	0	Port1 Port2 Port3 Port4 Port5
WLAN2 4G	Connected	0	
WLAN5G	Connected	0	
USB	Connected	0	USB

**Security**

VPN	Connected:	0	Remote Dial-in User / LAN to LAN
-----	------------	---	----------------------------------



**Note**

The home page will change slightly in accordance with the router you have.

If your router can be under an environment with high speed NAT, the configuration provide here can help you to deploy and use the router quickly. The first screen of **Quick Start Wizard** is entering login password. After typing the password, please click **Next**.

## Quick Start Wizard

### Enter login password

Please enter an alpha-numeric string as your **Password** (Max 83 characters)

Old Password	<input type="password" value="....."/>
New Password	<input type="password" value="....."/>
Confirm Password	<input type="password" value="....."/>

Password Strength: Weak **Medium** Strong

Strong password requirements:

1. Have at least one upper-case letter and one lower-case letter.
2. Including non-alphanumeric characters is a plus.

Hint: If you want to keep the password unchanged, leave the password blank and press "Next" button to skip this process.

On the next page as shown below, please select the WAN interface that you use. If Ethernet interface is used, please choose WAN1 or WAN2; if wireless 2.4G/5G connection is used, please choose WAN3 or WAN4; if 3G USB modem is used, please choose WAN5 or WAN6. Then click **Next** for next step. Each WAN interface will bring up specific configuration page.

### Wizards >> Quick Start Wizard

#### Select WAN Interface

Select WAN Interface:	<input type="text" value="WAN1"/>
Display Name:	<input type="text"/>
Physical Mode:	Ethernet
Physical Type:	<input type="text" value="Auto negotiation"/>
VLAN Tag insertion:	<input type="text" value="Disable"/>
Tag value	<input type="text"/> (0~4095)
Priority	<input type="text"/> (0~7)

Click **Next**. You have to select the appropriate Internet access type (PPPoE, PPTP, L2TP, Static IP or DHCP) according to the information from your ISP.

Here we take PPPoE and DHCP modes for WAN connection as examples.

## For PPPoE Connection

1. Choose **WAN1** as WAN Interface and click the **Next** button; you will get the following page.

Quick Start Wizard

---

Connect to Internet

**WAN 1**  
Select one of the following Internet Access types provided by your ISP.

- PPPoE
- PPTP
- L2TP
- Static IP
- DHCP

2. Select **PPPoE** and click **Next** to get the following page.

Quick Start Wizard

---

PPPoE Client Mode

**WAN 1**  
Enter the user name and password provided by your ISP.

Service Name (Optional)	<input type="text" value="CHT"/>
Username	<input type="text" value="84005657@hinet.net"/>
Password	<input type="password" value="*****"/>
Confirm Password	<input type="password" value="*****"/>

3. Enter the Username/Password provided by your ISP. Then click **Next** for viewing the summary of such connection.

Wizards >> Quick Start Wizard

---

Please confirm your settings:

WAN Interface:	WAN1
Physical Mode:	Ethernet
Physical Type:	Auto negotiation
Internet Access:	PPPoE

Click **Back** to modify changes if necessary. Otherwise, click **Finish** to save the current settings and restart the Vigor router.

4. Click **Finish**. A page of **Quick Start Wizard Setup OK!!!** will appear. Then, the system status of this protocol will be shown.

**Quick Start Wizard Setup OK!**

5. Now, you can enjoy surfing on the Internet.

## For DHCP Connection

1. Choose **WAN1** as WAN Interface and click the **Next** button; you will get the following page.

Quick Start Wizard

---

Connect to Internet

**WAN 1**  
Select one of the following Internet Access types provided by your ISP.

PPPoE  
 PPTP  
 L2TP  
 Static IP  
 DHCP

< Back   Next >   Finish   Cancel

2. Select **DHCP** and click **Next** to get the following page.

Quick Start Wizard

---

DHCP Client Mode

**WAN 1**  
If your ISP requires you to enter a specific host name or specific MAC address, please enter it in.

Host Name     (optional)  
MAC                  (optional)

< Back   Next >   Finish   Cancel



3. Enter the hostname and / or MAC address provided by your ISP. Then click **Next** for viewing summary of such connection.

Wizards >> Quick Start Wizard

---

Please confirm your settings:

WAN Interface:	WAN1
Physical Mode:	Ethernet
Physical Type:	Auto negotiation
Internet Access:	DHCP

Click **Back** to modify changes if necessary. Otherwise, click **Finish** to save the current settings and restart the Vigor router.

< Back

Next >

Finish

Cancel

4. Click **Finish**. A page of **Quick Start Wizard Setup OK!!!** will appear. Then, the system status of this protocol will be shown.

**Quick Start Wizard Setup OK!**

5. Now, you can enjoy surfing on the Internet.

## 5. Customer Service

If the router cannot work correctly after trying many efforts, please contact your dealer for further help right away. For any questions, please feel free to send e-mail to [support@draytek.com](mailto:support@draytek.com).

### Be a Registered Owner

Web registration is preferred. You can register your Vigor router via <https://myvigor.draytek.com>.

### Firmware & Tools Updates

Due to the continuous evolution of DrayTek technology, all routers will be regularly upgraded. Please consult the DrayTek web site for more information on newest firmware, tools and documents.

<https://www.draytek.com>

ALVACO  
Telecomunicaciones  
Espana, S.L  
*Avenida de Italia 10 Centro  
de Transportes de Coslada  
28821 Coslada, Madrid,  
Spain*

AntiPode  
*12 Rue des Chauffours  
95000 Cergy - France*

BRINET sp. z o.o. sp.k.  
*ul. Lubowska 23, 60-433  
Poznań*

CMS  
*UK - CMS Distribution  
Limited, 15 Worship Street,  
London, EC2A 2DT  
Ireland - CMS Distribution  
Limited, Bohola Road,  
Kiltimagh, Co Mayo, Ireland*

Comdate Access AB  
*Industrivagen 44, 941 47  
Pitea Sweden*

IKI d.o.o. ZAGREB  
*IKI d.o.o, Rapska 42,  
10000 Zagreb, Croatia*

LEXIS S.A.  
*2-4, Karpathou str. &  
Ethnikis Antistaseos,  
15344, Gerakas,  
Athens-Greece*

Network Elements Kft.  
*1095 Budapest Mester  
37-39, B lh. alagsor 4.,  
Hungary*

NoWire Nordic AB  
*Box 8167, 163 08 Spanga,  
Sweden*

OptiVisus Lda.  
*Rua Capitão Ramires  
n°17A  
1000-084 Lisboa,  
Portugal*

ScanAccess A/S  
*Kirkeltevej 138, 3450  
Allerod, DK, DENMARK*

Spider Electronics sas  
*Via Enrico Fermi  
11-10040, Caselette (TO)  
Italy.*

Telos d.o.o.  
*Parmova 14, 1000  
Ljubljana, Slovenia*

UniVorex GmbH  
*Zeppelinstrasse 3, 12529,  
Schoenefeld, Germany*

Xpert Data b.v.  
*Oosterveldsingel 2  
7558 PK Hengelo (Ov)*